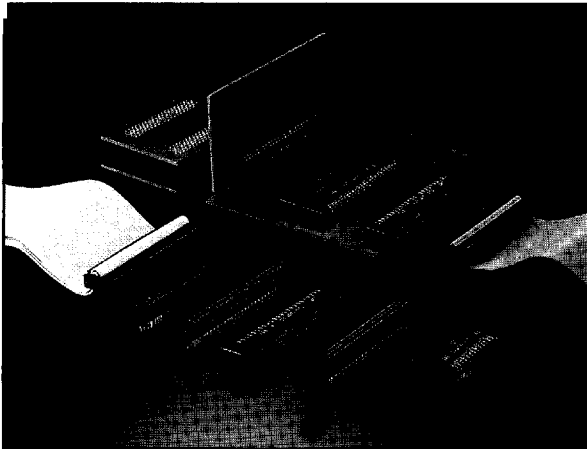


TX 1 TO 5 SERIES CONNECTORS

1.27mm (.050") Contact Spacing, PCB-to-PCB/PCB-to-Cable Connectors



FEATURES

■ IDC Socket (TX1/TX2)

- Flat ribbon cable centers:
0.635mm (.025") for TX1
1.27mm (.050") for TX2
- TX1 socket can be terminated in "daisy-chain" style in the middle of the cable
- TX2 socket is terminated at the end of the two stacked cables
- Socket contacts have dual-contact-point tuning fork design
- All wires can be terminated in a single action (Insulation is automatically removed)

■ Pin Header With Latch (TX3)

- Available in straight and right angle through hole types
- Self-locking, self-ejecting lever for easy operation

■ Socket Receptacle (TX4) and Pin Header (TX5)

- Horizontal, parallel and vertical board-to-board connections
- Straight and right angle through hole types are available in both receptacle and pin header
- With/without mounting ears

.....

TX 1 to 5 Series connectors are two-piece PCB connectors with 1.27mm (.050") contact spacing.

TX1/2/3 connectors are for board-to-cable applications and TX4/5 are for board-to-board connections.

Configurations include IDC sockets (TX1 and TX2) for flat ribbon cable; pin headers (TX3) with a latching mechanism; socket receptacles (TX4) and pin headers (TX5) for horizontal, parallel and vertical board-to-board connections.

Applications include computers, business machines, industrial control machinery, telecommunications, audiovisual appliances, measuring equipment, and applications wherever high density packaging is required.

GENERAL SPECIFICATIONS

Number of Contacts	20, 26, 30, 34, 40, 50, 60, 68, 80, 100
Contact Spacing	1.27mm (.050"), Double row
Current Rating	0.5 Amps
Operating Voltage	250 VAC r.m.s.
Dielectric Withstanding Voltage	500 VAC r.m.s. (for one minute)
Insulation Resistance	100 megohms min.
Contact Resistance	25 milliohms max.
Operating Temperature	-40°C to + 80°C
Applicable PCB Thickness	1.6mm (.063")
Applicable F.R.C.: TX1	0.635mm (.025") pitch: #30 AWG
TX2	1.27mm (.050") pitch: #28 AWG

MATERIALS AND FINISHES

TX1/TX2

Description	Materials/Finishes
Insulator	PBT (UL94V-0, Black)
Strain Relief	Glass-filled Nylon (UL94V-0, Black)
Cover	Glass-filled Nylon (UL94V-0, Black)
Contact (Note)	Beryllium Copper Connecting area: Gold plating over Nickel IDC Terminal area: Tin plating Other areas: Gold flash over Nickel

TX3/TX4/TX5

Description	Materials/Finishes
Insulator	PBT (UL94V-0, Black)
Expansion Post	Phosphor Bronze/Tin plating
Lever (TX3)	Nylon (UL94V-0, Black)
Contact (Note)	Phosphor Bronze Connecting area: Gold plating over Nickel Terminal area: Tin plating

Note: Contact finish – Gold plating on connecting area is 0.1µm (.000004") min.

Dimensions and specifications subject to change without notice.

Hong Kong
Tel: 852-2723-7782
Fax: 852-2723-9028

Japan
03-3780-2715
03-3780-2883

Singapore
65-748-1332
65-748-2920

Taiwan
02-555-9711
02-556-5424

United Kingdom
1276-21717
1276-66165

United States
714-753-2600
714-753-2699



▷ 05F ■ 4893465 0000681 137 ■

TX 1 TO 5 SERIES CONNECTORS

1.27mm (.050") Contact Spacing, PCB-to-PCB/PCB-to-Cable Connectors

ORDERING INFORMATION

		TX		*		-	**		*		-	D2		**		*		*		*		**		*		*		
Series _____																												
Connector Type _____																												
1 – IDC Socket, .635mm (.025") pitch cable																												
2 – IDC Socket, 1.27mm (.050") pitch cable																												
3 – Pin Header with latch																												
4 – Socket Receptacle																												
5 – Pin Header																												
No. of Contacts _____																												
20, 26, 30, 34, 40, 50, 60, 68, 80, 100																												
Contact Type _____																												
S – Socket (TX1, TX2, TX4)																												
P – Pin (TX3, TX5)																												
Contact Arrangement _____																												
D2 – Double Row																												
Termination _____																												
P – IDC																												
LT – Right Angle Through Hole																												
ST – Straight Through Hole																												
Applicable Wire _____																												
1 – #30 AWG (TX1)																												
#28 AWG (TX2)																												
Latch Type (TX3) _____																												
L – Standard Latch																												
S – Short Latch																												
Expansion Post (TX3) _____																												
H – With Post																												
N – Without Post																												
Mounting Method (TX4/TX5) _____																												
MH – With Mounting Ears and Expansion Posts																												
MN – With Mounting Ears and Without Expansion Posts																												
N – Without Mounting Ears and Expansion Posts																												
Contact Finish Code _____																												
1 – 0.1µm (.000004") thick gold plating min.																												
Cover Style _____																												
C – Closed End (TX2)																												
D – Daisy Chain (TX1)																												

D 05F ■ 4893465 0000682 073 ■

Dimensions in mm (inches).



Hong Kong
Tel: 852-2723-7782
Fax: 852-2723-9028

Japan
03-3780-2715
03-3780-2883

Singapore
65-748-1332
65-748-2920

Taiwan
02-555-9711
02-556-5424

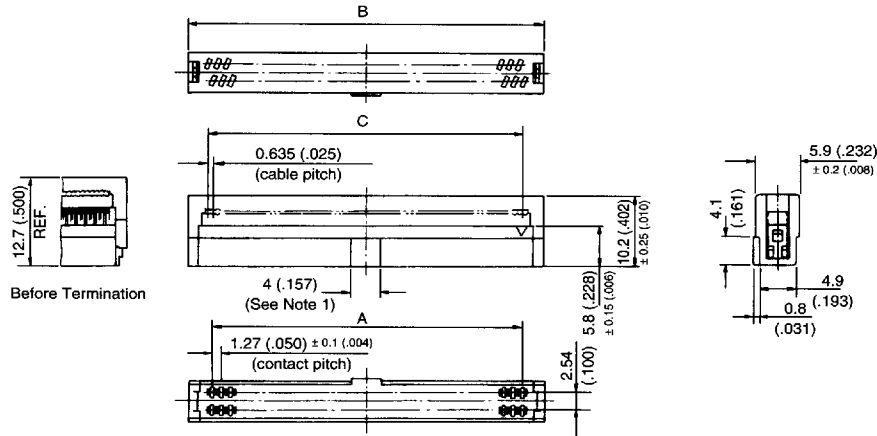
United Kingdom
1276-21717
1276-66165

United States
714-753-2600
714-753-2699

TX 1 TO 5 SERIES CONNECTORS

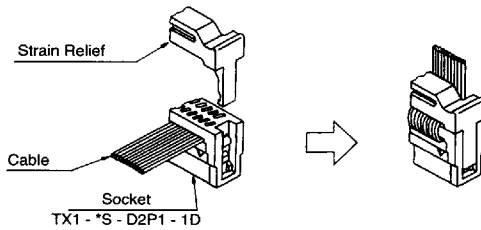
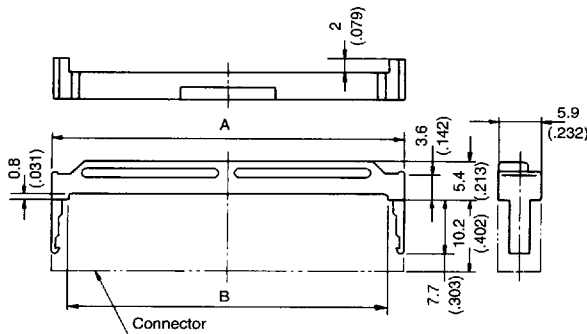
1.27mm (.050") Contact Spacing, PCB-to-PCB/PCB-to-Cable Connectors

IDC TYPE SOCKET (FOR FLAT RIBBON CABLE) TX1—For 0.635mm (.025") Pitch Cable



Note 1: For 80 and 100 position connectors, two polarizing bosses are provided. For other contact arrangements, one polarizing boss is provided at the center.

• STRAIN RELIEF: TX1-SR**



APPLICABLE CABLE WIRE (0.635mm/.025" pitch)

1. Conductor: #30 AWG wire, 7 strands of 0.102mm (.004") diameter, tin plated soft copper.
#30 AWG wire, solid of 0.254mm (.010") diameter, tin plated soft copper.
2. Insulation: Soft polyvinyl chloride (PVC) or Teflon, 0.7mm (.028") max. thickness.

APPLICABLE IDC TOOL

Pneumatic, semi-automatic, IDC tool: SP399-2-TX1
Hand IDC tool: SP299-2-TX1

No. of Contacts	Part Number	A ± 0.15 (± .006)	B +0.1 (+.004) -0.2 (-.008)	C	Strain Relief Part Number	A ± 0.1 (± .004)	B ± 0.1 (± .004)
20	TX1- 20S-D2P1-1D	11.43 (.450)	17.4 (.685)	12.065 (.475)	TX1-SR 20	17.43 (.686)	13.00 (.512)
26	TX1- 26S-D2P1-1D	15.24 (.600)	21.2 (.835)	15.875 (.625)	TX1-SR 26	21.24 (.836)	16.81 (.662)
30	TX1- 30S-D2P1-1D	17.78 (.700)	23.8 (.937)	18.415 (.725)	TX1-SR 30	23.78 (.936)	19.35 (.762)
34	TX1- 34S-D2P1-1D	20.32 (.800)	26.3 (1.035)	20.955 (.825)	TX1-SR 34	26.32 (1.036)	21.89 (.862)
40	TX1- 40S-D2P1-1D	24.13 (.950)	30.1 (1.185)	24.765 (.975)	TX1-SR 40	30.13 (1.186)	25.70 (1.012)
50	TX1- 50S-D2P1-1D	30.48 (1.200)	36.5 (1.437)	31.115 (1.225)	TX1-SR 50	36.48 (1.436)	32.05 (1.262)
60	TX1- 60S-D2P1-1D	36.83 (1.450)	42.8 (1.685)	37.465 (1.475)	TX1-SR 60	42.83 (1.686)	38.40 (1.512)
68	TX1- 68S-D2P1-1D	41.91 (1.650)	47.9 (1.886)	42.545 (1.675)	TX1-SR 68	47.91 (1.886)	43.48 (1.712)
80	TX1- 80S-D2P1-1D	49.53 (1.950)	55.5 (2.185)	50.165 (1.975)	TX1-SR 80	55.53 (2.186)	51.10 (2.012)
100	TX1-100S-D2P1-1D	62.23 (2.450)	68.2 (2.685)	62.865 (2.475)	TX1-SR100	68.23 (2.686)	63.80 (2.512)

D 05F ■ 4893465 0000683 TOT ■

Dimensions in mm (inches).

Hong Kong
Tel: 852-2723-7782
Fax: 852-2723-9028

Japan
03-3780-2715
03-3780-2883

Singapore
65-748-1332
65-748-2920

Taiwan
02-555-9711
02-556-5424

United Kingdom
1276-21717
1276-66165

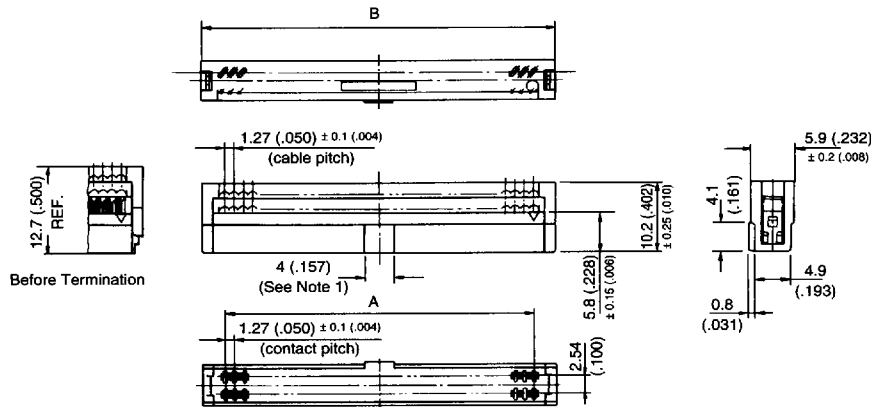
United States
714-753-2600
714-753-2699



TX 1 TO 5 SERIES CONNECTORS

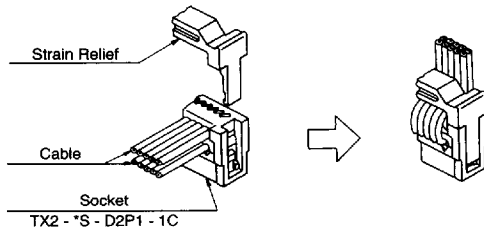
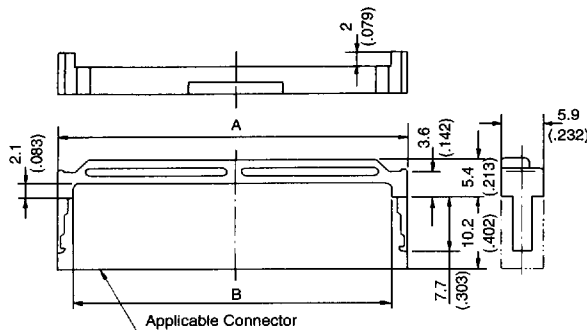
1.27mm (.050") Contact Spacing, PCB-to-PCB/PCB-to-Cable Connectors

IDC TYPE SOCKET (FOR FLAT RIBBON CABLE) TX2—For 1.27mm (.050") Pitch Cable



Note 1: For 80 and 100 position connectors, two polarizing bosses are provided. For other contact arrangements, one polarizing boss is provided at the center.

• STRAIN RELIEF: TX2-SR**



APPLICABLE CABLE WIRE (1.27mm/.050" pitch)

1. Conductor: #28 AWG wire, 7 strands of 0.12mm (.005") or 0.127mm (.0049") diameter, tin plated soft copper. #28 AWG wire, solid of 0.32mm (.013") diameter, tin plated soft copper.
2. Insulation: Soft polyvinyl chloride (PVC) or Teflon, 0.88 to 1.0mm (.035 to .039") thickness.

APPLICABLE IDC TOOL

Pneumatic, semi-automatic, IDC tool: SP399-2-TX2
Hand IDC tool: SP299-2-TX2

No. of Contacts	Part Number	A ± 0.15 (± .006)	B +0.1 (+.004) -0.2 (-.008)	Strain Relief Part Number	A ± 0.1 (± .004)	B ± 0.1 (± .004)
20	TX2- 20S-D2P1-1C	11.43 (.450)	17.4 (.685)	TX2-SR 20	17.43 (.686)	13.00 (.512)
26	TX2- 26S-D2P1-1C	15.24 (.600)	21.2 (.835)	TX2-SR 26	21.24 (.836)	16.81 (.662)
30	TX2- 30S-D2P1-1C	17.78 (.700)	23.8 (.937)	TX2-SR 30	23.78 (.936)	19.35 (.762)
34	TX2- 34S-D2P1-1C	20.32 (.800)	26.3 (1.035)	TX2-SR 34	26.32 (1.036)	21.89 (.862)
40	TX2- 40S-D2P1-1C	24.13 (.950)	30.1 (1.185)	TX2-SR 40	30.13 (1.186)	25.70 (1.012)
50	TX2- 50S-D2P1-1C	30.48 (1.200)	36.5 (1.437)	TX2-SR 50	36.48 (1.436)	32.05 (1.262)
60	TX2- 60S-D2P1-1C	36.83 (1.450)	42.8 (1.685)	TX2-SR 60	42.83 (1.686)	38.40 (1.512)
68	TX2- 68S-D2P1-1C	41.91 (1.650)	47.9 (1.886)	TX2-SR 68	47.91 (1.886)	43.48 (1.712)
80	TX2- 80S-D2P1-1C	49.53 (1.950)	55.5 (2.185)	TX2-SR 80	55.53 (2.186)	51.10 (2.012)
100	TX2-100S-D2P1-1C	62.23 (2.450)	68.2 (2.685)	TX2-SR100	68.23 (2.686)	63.80 (2.512)

D 05F ■ 4893465 0000684 946 ■

Dimensions in mm (inches).



Hong Kong
Tel: 852-2723-7782
Fax: 852-2723-9028

Japan
03-3780-2715
03-3780-2883

Singapore
65-748-1332
65-748-2920

Taiwan
02-555-9711
02-556-5424

United Kingdom
1276-21717
1276-66165

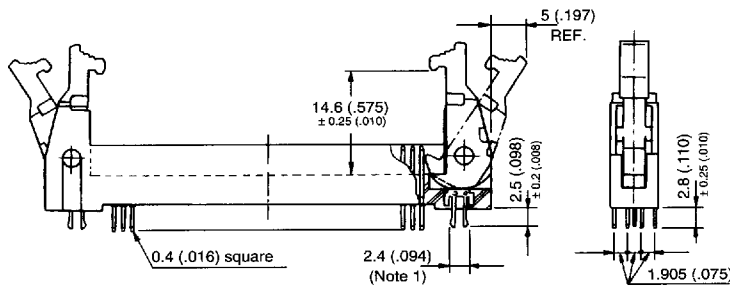
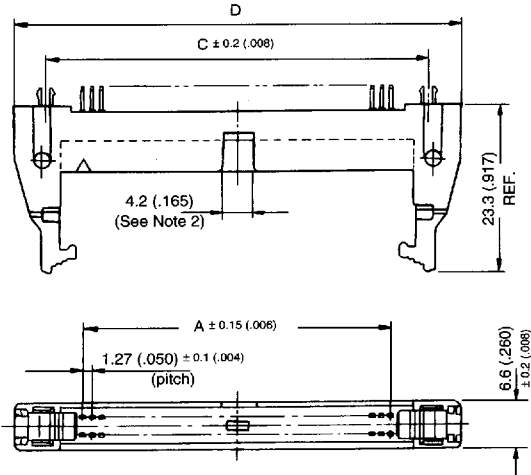
United States
714-753-2600
714-753-2699

TX 1 TO 5 SERIES CONNECTORS

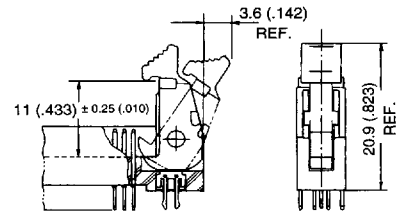
1.27mm (.050") Contact Spacing, PCB-to-PCB/PCB-to-Cable Connectors

PIN HEADER WITH LATCHING MECHANISM TX3-ST—Straight Through Hole Type

STANDARD LATCH TYPE



SHORT LATCH TYPE



Note: For short lever type, do not use strain relief on the mating IDC socket connector.

- Note 1: Above figure shows the connector with expansion post. Without-expansion-post type is also available.
 Note 2: For 80 and 100 position connectors, two polarizing keyways are provided. For other contact arrangements, one polarizing keyway is provided at the center.

• PCB Hole Dimension: See page 99

No. of Contacts	Part Number				A	C	D ± 0.4 (± .016)
	Standard Latch Type		Short Latch Type				
	With Expansion Post	Without Expansion Post	With Expansion Post	Without Expansion Post			
20	TX3- 20P-D2ST-LH1	TX3- 20P-D2ST-LN1	TX3- 20P-D2ST-SH1	TX3- 20P-D2ST-SN1	11.43 (.450)	21.59 (.850)	30.4 (1.197)
26	TX3- 26P-D2ST-LH1	TX3- 26P-D2ST-LN1	TX3- 26P-D2ST-SH1	TX3- 26P-D2ST-SN1	15.24 (.600)	25.40 (1.000)	34.2 (1.346)
30	TX3- 30P-D2ST-LH1	TX3- 30P-D2ST-LN1	TX3- 30P-D2ST-SH1	TX3- 30P-D2ST-SN1	17.78 (.700)	27.94 (1.100)	36.8 (1.449)
34	TX3- 34P-D2ST-LH1	TX3- 34P-D2ST-LN1	TX3- 34P-D2ST-SH1	TX3- 34P-D2ST-SN1	20.32 (.800)	30.48 (1.200)	39.3 (1.547)
40	TX3- 40P-D2ST-LH1	TX3- 40P-D2ST-LN1	TX3- 40P-D2ST-SH1	TX3- 40P-D2ST-SN1	24.13 (.950)	34.29 (1.350)	43.1 (1.697)
50	TX3- 50P-D2ST-LH1	TX3- 50P-D2ST-LN1	TX3- 50P-D2ST-SH1	TX3- 50P-D2ST-SN1	30.48 (1.200)	40.64 (1.600)	49.5 (1.949)
60	TX3- 60P-D2ST-LH1	TX3- 60P-D2ST-LN1	TX3- 60P-D2ST-SH1	TX3- 60P-D2ST-SN1	36.83 (1.450)	46.99 (1.850)	55.8 (2.197)
68	TX3- 68P-D2ST-LH1	TX3- 68P-D2ST-LN1	TX3- 68P-D2ST-SH1	TX3- 68P-D2ST-SN1	41.91 (1.650)	52.07 (2.050)	60.9 (2.398)
80	TX3- 80P-D2ST-LH1	TX3- 80P-D2ST-LN1	TX3- 80P-D2ST-SH1	TX3- 80P-D2ST-SN1	49.53 (1.950)	59.69 (2.350)	68.5 (2.697)
100	TX3- 100P-D2ST-LH1	TX3- 100P-D2ST-LN1	TX3- 100P-D2ST-SH1	TX3- 100P-D2ST-SN1	62.23 (2.450)	72.39 (2.850)	81.2 (3.197)

D 05F ■ 4893465 0000685 882 ■

Dimensions in mm (inches).

Hong Kong
Tel: 852-2723-7782
Fax: 852-2723-9028

Japan
03-3780-2715
03-3780-2883

Singapore
65-748-1332
65-748-2920

Taiwan
02-555-9711
02-556-5424

United Kingdom
1276-21717
1276-66165

United States
714-753-2600
714-753-2699

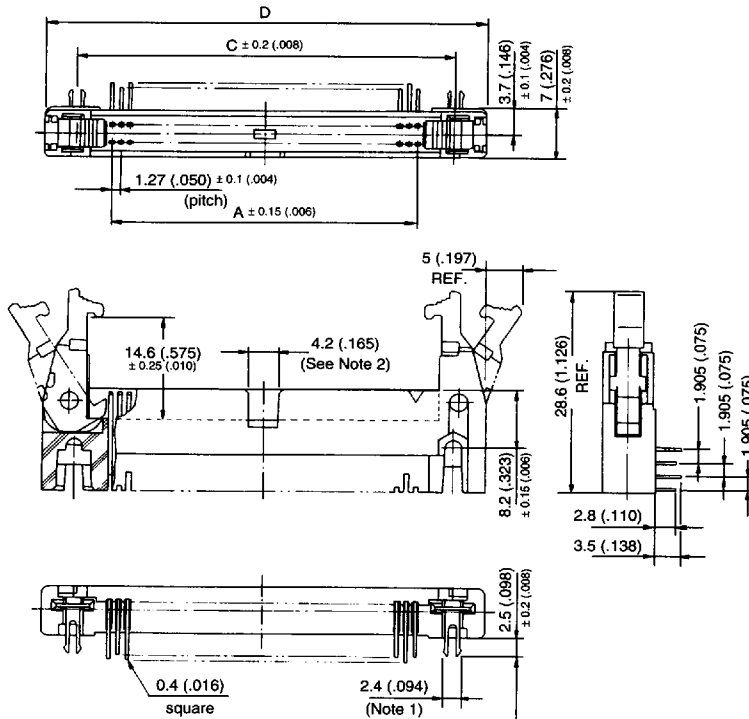


TX 1 TO 5 SERIES CONNECTORS

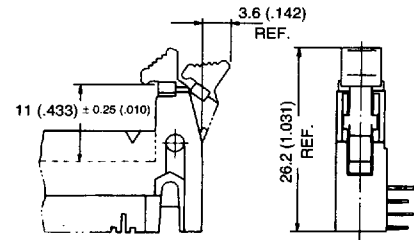
1.27mm (.050") Contact Spacing, PCB-to-PCB/PCB-to-Cable Connectors

PIN HEADER WITH LATCHING MECHANISM TX3-LT—Right Angle Through Hole Type

STANDARD LATCH TYPE



SHORT LATCH TYPE



Note: For short latch type, do not use strain relief on the mating IDC socket connector.

Note 1: Above figure shows the connector with expansion post. Without-expansion-post type is also available.

Note 2: For 80 and 100 position connectors, two polarizing keyways are provided. For other contact arrangement one polarizing keyway is provided at the center.

• PCB Hole Dimension: See page 99

No. of Contacts	Part Number				A	C	D ± 0.4 (± .016)
	Standard Latch Type		Short Latch Type				
	With Expansion Post	Without Expansion Post	With Expansion Post	Without Expansion Post			
20	TX3- 20P-D2LT-LH1	TX3- 20P-D2LT-LN1	TX3- 20P-D2LT-SH1	TX3- 20P-D2LT-SN1	11.43 (.450)	21.59 (.850)	30.4 (1.197)
26	TX3- 26P-D2LT-LH1	TX3- 26P-D2LT-LN1	TX3- 26P-D2LT-SH1	TX3- 26P-D2LT-SN1	15.24 (.600)	25.40 (1.000)	34.2 (1.346)
30	TX3- 30P-D2LT-LH1	TX3- 30P-D2LT-LN1	TX3- 30P-D2LT-SH1	TX3- 30P-D2LT-SN1	17.78 (.700)	27.94 (1.100)	36.8 (1.449)
34	TX3- 34P-D2LT-LH1	TX3- 34P-D2LT-LN1	TX3- 34P-D2LT-SH1	TX3- 34P-D2LT-SN1	20.32 (.800)	30.48 (1.200)	39.3 (1.547)
40	TX3- 40P-D2LT-LH1	TX3- 40P-D2LT-LN1	TX3- 40P-D2LT-SH1	TX3- 40P-D2LT-SN1	24.13 (.950)	34.29 (1.350)	43.1 (1.697)
50	TX3- 50P-D2LT-LH1	TX3- 50P-D2LT-LN1	TX3- 50P-D2LT-SH1	TX3- 50P-D2LT-SN1	30.48 (1.200)	40.64 (1.600)	49.5 (1.949)
60	TX3- 60P-D2LT-LH1	TX3- 60P-D2LT-LN1	TX3- 60P-D2LT-SH1	TX3- 60P-D2LT-SN1	36.83 (1.450)	46.99 (1.850)	55.8 (2.197)
68	TX3- 68P-D2LT-LH1	TX3- 68P-D2LT-LN1	TX3- 68P-D2LT-SH1	TX3- 68P-D2LT-SN1	41.91 (1.650)	52.07 (2.050)	60.9 (2.398)
80	TX3- 80P-D2LT-LH1	TX3- 80P-D2LT-LN1	TX3- 80P-D2LT-SH1	TX3- 80P-D2LT-SN1	49.53 (1.950)	59.69 (2.350)	68.5 (2.697)
100	TX3- 100P-D2LT-LH1	TX3- 100P-D2LT-LN1	TX3- 100P-D2LT-SH1	TX3- 100P-D2LT-SN1	62.23 (2.450)	72.39 (2.850)	81.2 (3.197)

D 05F ■ 4893465 0000686 719 ■

Dimensions in mm (inches).



Hong Kong
Tel: 852-2723-7782
Fax: 852-2723-9028

Japan
03-3780-2715
03-3780-2883

Singapore
65-748-1332
65-748-2920

Taiwan
02-555-9711
02-556-5424

United Kingdom
1276-21717
1276-66165

United States
714-753-2600
714-753-2699

TX 1 TO 5 SERIES CONNECTORS

1.27mm (.050") Contact Spacing, PCB-to-PCB/PCB-to-Cable Connectors

IDC MACHINE

Applicable Connector	IDC Machine Part Number (See Note 1)		Applicator (See Note 2)	Interchangeable unit (See Note 3)
	Pneumatic, semi-automatic type	Hand Type		
TX1	SP399-2-TX1	SP299-2-TX1	MT499-TX1-2	700-04034-200
TX2	SP399-2-TX2	SP299-2-TX2	MT499-TX2-2	700-04041-200

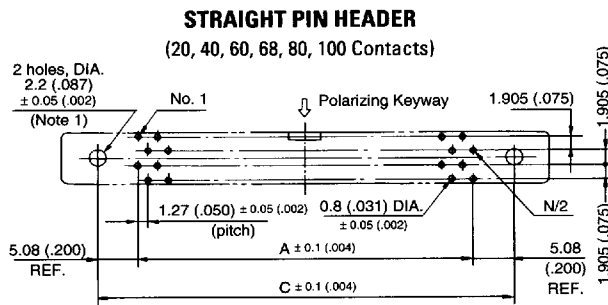
Note 1: With interchangeable applicator.

Note 2: Interchangeable applicator with base plate and pressure unit.

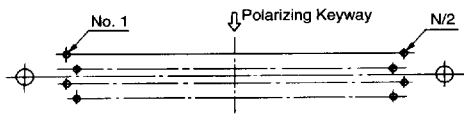
Part number for interchangeable applicator only; 700-04061-100 (TX1/TX2)

Note 3: Base plate and pressure unit only.

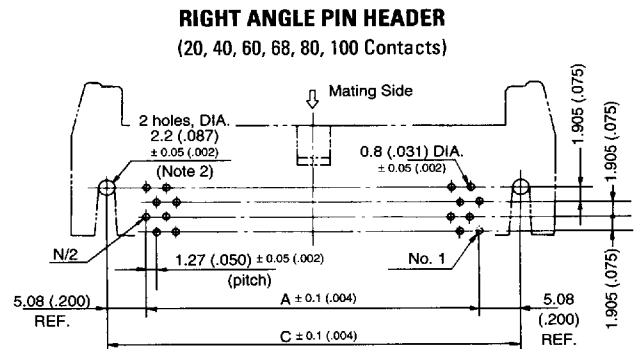
PCB MOUNTING HOLE DIMENSION (for TX3: pin header with latching mechanism)



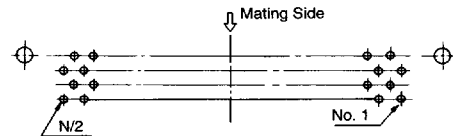
(26, 30, 34, 50 Contacts)



Note 1: 2 holes are not needed for without-expansion-posts type.



(26, 30, 34, 50 Contacts)



Note 2: 2.2 \pm 0.087 \pm 0.003 dia. for without-expansion-posts type. (applicable screw: M2)

No. of Contacts	A ± 0.1 (.004)	C ± 0.1 (.004)
20	11.43 (.450)	21.59 (.850)
26	15.24 (.600)	25.40 (1.000)
30	17.78 (.700)	27.94 (1.100)
34	20.32 (.800)	30.48 (1.200)
40	24.13 (.950)	34.29 (1.350)
50	30.48 (1.200)	40.64 (1.600)
60	36.83 (1.450)	46.99 (1.850)
68	41.91 (1.650)	52.07 (2.050)
80	49.53 (1.950)	59.69 (2.350)
100	62.23 (2.450)	72.39 (2.850)

Dimensions in mm (inches)

Hong Kong
Tel: 852-2723-7782
Fax: 852-2723-9028

Japan
03-3780-2715
03-3780-2883

Singapore
65-748-1332
65-748-2920

Taiwan
02-555-9711
02-556-5424

United Kingdom
1276-21717
1276-66165

United States
714-753-2600
714-753-2699

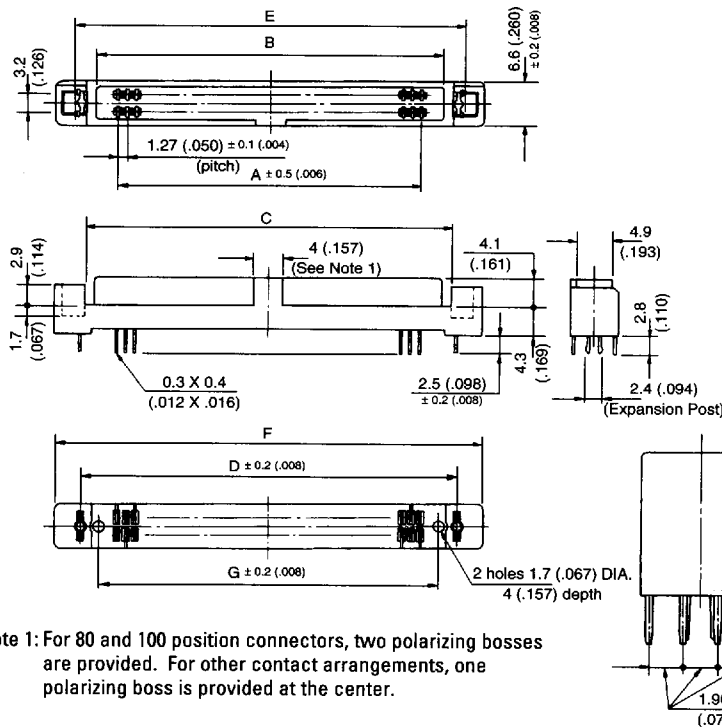


TX 1 TO 5 SERIES CONNECTORS

1.27mm (.050") Contact Spacing, PCB-to-PCB/PCB-to-Cable Connectors

SOCKET RECEPTACLE (With Mounting Ears)
TX4-ST-M—Straight Through Hole Type

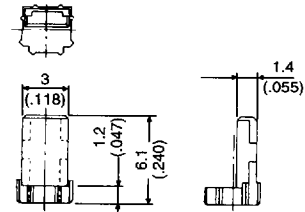
With Expansion Posts (H)



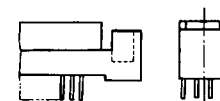
Note 1: For 80 and 100 position connectors, two polarizing bosses are provided. For other contact arrangements, one polarizing boss is provided at the center.

POLARIZATION KEY: 201-50054

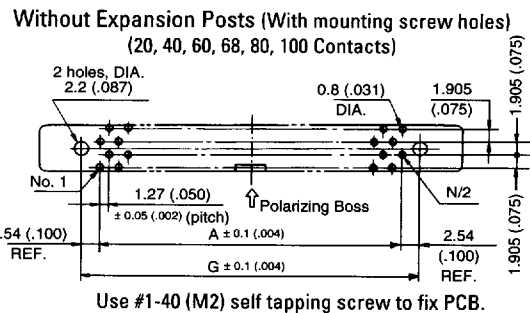
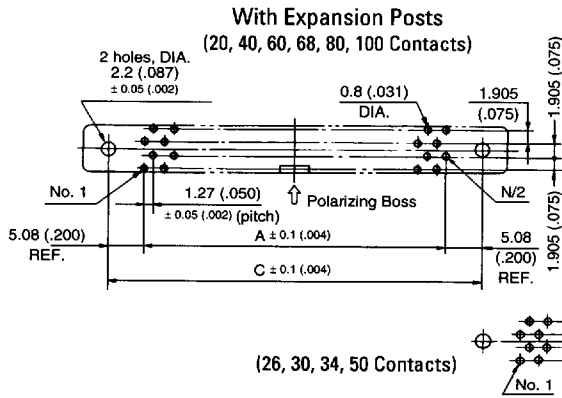
MATERIAL: Glass-filled PBT (Yellow-green)
 Installed in the connector mounting ears, these keys will allow 16 different polarization schemes.



Without Expansion Posts (N)



PCB Hole Pattern



Use #1-40 (M2) self tapping screw to fix PCB.

No. of Contacts	Part Number		A	B +0 (+0.000) -0.2 (-0.008)	C +0.2 (+0.008) -0.1 (-0.004)	D	E ± 0.2 (± 0.008)	F ± 0.4 (± 0.016)	G
	With Expansion Post	Without Expansion Post							
20	TX4- 20S-D2ST-MH1	TX4- 20S-D2ST-MN1	11.43 (.450)	17.43 (.686)	20.23 (.796)	21.59 (.850)	23.23 (.915)	28.6 (1.126)	16.51 (.650)
26	TX4- 26S-D2ST-MH1	TX4- 26S-D2ST-MN1	15.24 (.600)	21.24 (.836)	24.04 (.946)	25.40 (1.000)	27.04 (1.065)	32.4 (1.276)	20.32 (.800)
30	TX4- 30S-D2ST-MH1	TX4- 30S-D2ST-MN1	17.78 (.700)	23.78 (.936)	26.58 (1.046)	27.94 (1.100)	29.58 (1.165)	35.0 (1.378)	22.86 (.900)
34	TX4- 34S-D2ST-MH1	TX4- 34S-D2ST-MN1	20.32 (.800)	26.32 (1.036)	29.12 (1.146)	30.48 (1.200)	32.12 (1.265)	37.5 (1.476)	25.40 (1.000)
40	TX4- 40S-D2ST-MH1	TX4- 40S-D2ST-MN1	24.13 (.950)	30.13 (1.186)	32.93 (1.296)	34.29 (1.350)	35.93 (1.415)	41.3 (1.626)	29.21 (1.150)
50	TX4- 50S-D2ST-MH1	TX4- 50S-D2ST-MN1	30.48 (1.200)	36.48 (1.436)	39.28 (1.546)	40.64 (1.600)	42.28 (1.665)	47.7 (1.878)	35.56 (1.400)
60	TX4- 60S-D2ST-MH1	TX4- 60S-D2ST-MN1	36.83 (1.450)	42.83 (1.686)	45.63 (1.796)	46.99 (1.850)	48.63 (1.915)	54.0 (2.126)	41.91 (1.650)
68	TX4- 68S-D2ST-MH1	TX4- 68S-D2ST-MN1	41.91 (1.650)	47.91 (1.886)	50.71 (1.996)	52.07 (2.050)	53.71 (2.115)	59.1 (2.327)	46.99 (1.850)
80	TX4- 80S-D2ST-MH1	TX4- 80S-D2ST-MN1	49.53 (1.950)	55.53 (2.186)	58.33 (2.296)	59.69 (2.350)	61.33 (2.415)	66.7 (2.626)	54.61 (2.150)
100	TX4-100S-D2ST-MH1	TX4-100S-D2ST-MN1	62.23 (2.450)	68.23 (2.686)	71.03 (2.796)	72.39 (2.850)	74.03 (2.915)	79.4 (3.126)	67.31 (2.650)

Dimensions in mm (inches).

D 05F ■ 4893465 0000688 591 ■



Hong Kong
 Tel: 852-2723-7782
 Fax: 852-2723-9028

Japan
 03-3780-2715
 03-3780-2883

Singapore
 65-748-1332
 65-748-2920

Taiwan
 02-555-9711
 02-556-5424

United Kingdom
 1276-21717
 1276-66165

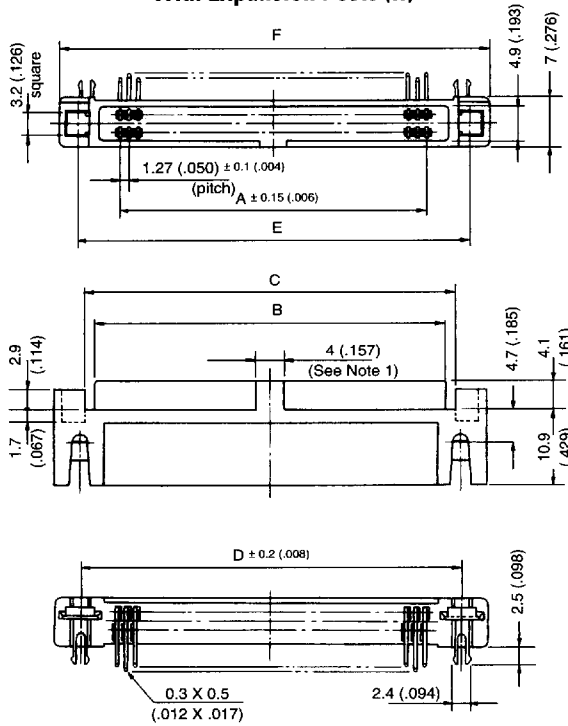
United States
 714-753-2600
 714-753-2699

TX 1 TO 5 SERIES CONNECTORS

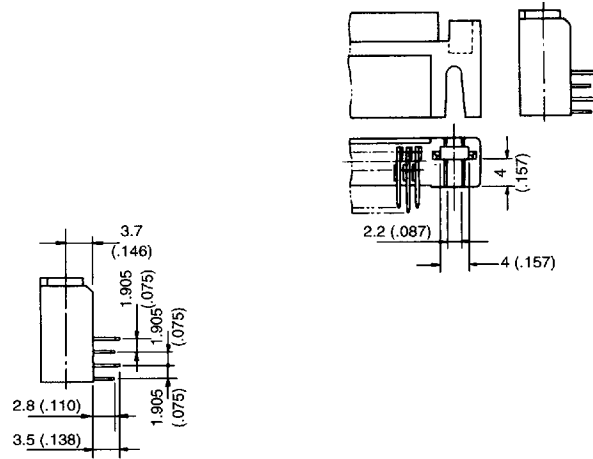
1.27mm (.050") Contact Spacing, PCB-to-PCB/PCB-to-Cable Connectors

SOCKET RECEPTACLE (With Mounting Ears)
TX4-LT-M—Right Angle Through Hole Type

With Expansion Posts (H)

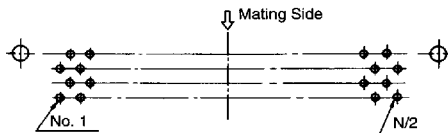


Without Expansion Posts (N)



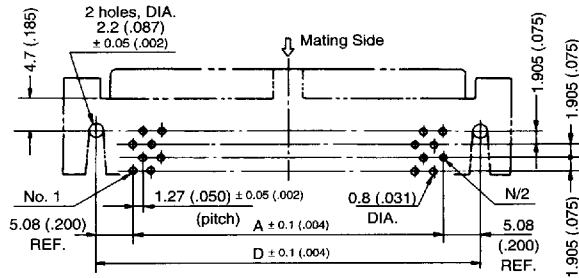
Note 1: For 80 and 100 position connectors, two polarizing bosses are provided. For other contact arrangements, one polarizing boss is provided at the center.

(26, 30, 34, 50 Contacts)



PCB Hole Pattern

(20, 40, 60, 68, 80, 100 Contacts)



No. of Contacts	Part Number		A	B +0 (+.000) -0.2 (-.008)	C +0.2 (+.008) -0.1 (-.004)	D	E ± 0.2 (± .008)	F ± 0.4 (± .016)
	With Expansion Post	Without Expansion Post						
20	TX4- 20S-D2LT-MH1	TX4- 20S-D2LT-MN1	11.43 (.450)	17.43 (.686)	20.23 (.796)	21.59 (.850)	23.23 (.915)	28.6 (1.126)
26	TX4- 26S-D2LT-MH1	TX4- 26S-D2LT-MN1	15.24 (.600)	21.24 (.836)	24.04 (.946)	25.40 (1.000)	27.04 (1.065)	32.4 (1.276)
30	TX4- 30S-D2LT-MH1	TX4- 30S-D2LT-MN1	17.78 (.700)	23.78 (.936)	26.58 (1.046)	27.94 (1.100)	29.58 (1.165)	35.0 (1.378)
34	TX4- 34S-D2LT-MH1	TX4- 34S-D2LT-MN1	20.32 (.800)	26.32 (1.036)	29.12 (1.146)	30.48 (1.200)	32.12 (1.265)	37.5 (1.476)
40	TX4- 40S-D2LT-MH1	TX4- 40S-D2LT-MN1	24.13 (.950)	30.13 (1.186)	32.93 (1.296)	34.29 (1.350)	35.93 (1.415)	41.3 (1.626)
50	TX4- 50S-D2LT-MH1	TX4- 50S-D2LT-MN1	30.48 (1.200)	36.48 (1.436)	39.28 (1.546)	40.64 (1.600)	42.28 (1.665)	47.7 (1.878)
60	TX4- 60S-D2LT-MH1	TX4- 60S-D2LT-MN1	36.83 (1.450)	42.83 (1.686)	45.63 (1.796)	46.99 (1.850)	48.63 (1.915)	54.0 (2.126)
68	TX4- 68S-D2LT-MH1	TX4- 68S-D2LT-MN1	41.91 (1.650)	47.91 (1.886)	50.71 (1.996)	52.07 (2.050)	53.71 (2.115)	59.1 (2.327)
80	TX4- 80S-D2LT-MH1	TX4- 80S-D2LT-MN1	49.53 (1.950)	55.53 (2.186)	58.33 (2.296)	59.69 (2.350)	61.33 (2.415)	66.7 (2.626)
100	TX4- 100S-D2LT-MH1	TX4- 100S-D2LT-MN1	62.23 (2.450)	68.23 (2.686)	71.03 (2.796)	72.39 (2.850)	74.03 (2.915)	79.4 (3.126)

Dimensions in mm (inches).

D 05F 4893465 0000689 428

Hong Kong
 Tel: 852-2723-7782
 Fax: 852-2723-9028

Japan
 03-3780-2715
 03-3780-2883

Singapore
 65-748-1332
 65-748-2920

Taiwan
 02-555-9711
 02-556-5424

United Kingdom
 1276-21717
 1276-66165

United States
 714-753-2600
 714-753-2699

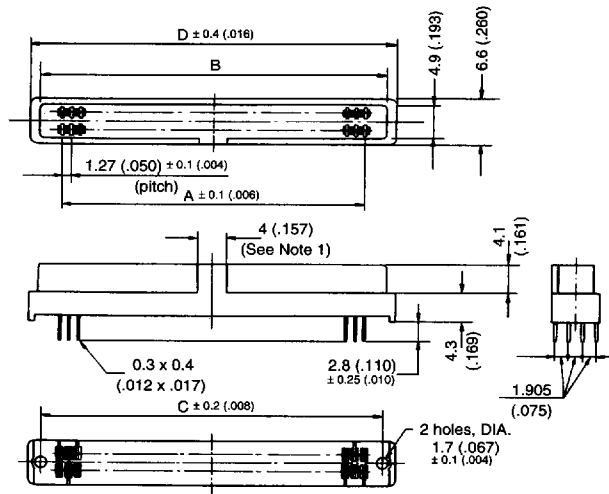


TX 1 TO 5 SERIES CONNECTORS

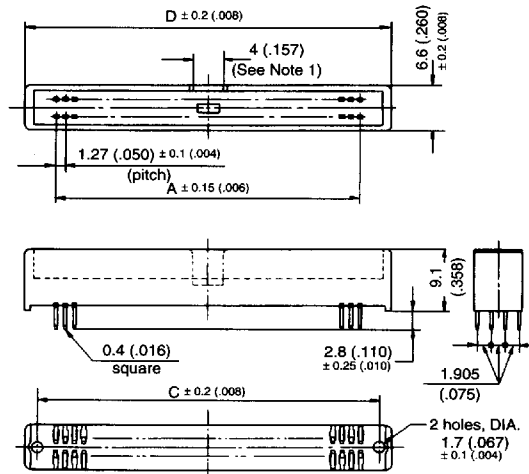
1.27mm (.050") Contact Spacing, PCB-to-PCB/PCB-to-Cable Connectors

SOCKET RECEPTACLE & PIN HEADER (Without Mounting Ears) TX4-ST/TX5-ST—Straight Through Hole Type

TX4: Socket Receptacle (Without Expansion Posts)



TX5: Pin Header (Without Expansion Posts)



Note 1: For 80 and 100 position connectors, two polarizing bosses/keyways are provided. For other contact arrangements, one polarizing boss/keyway is provided at the center.

PCB Hole Pattern

TX4: Page 100
TX5: Page 103

No. of Contacts	Part Number		A	B	C	D
	TX4-Socket Receptacle	TX5-Pin Header				
20	TX4- 20S-D2ST-N1	TX5- 20P-D2ST-N1	11.43 (.450)	17.43 (.686)	16.51 (.650)	20.0 (.787)
26	TX4- 26S-D2ST-N1	TX5- 26P-D2ST-N1	15.24 (.600)	21.24 (.836)	20.32 (.800)	23.8 (.937)
30	TX4- 30S-D2ST-N1	TX5- 30P-D2ST-N1	17.78 (.700)	23.78 (.936)	22.86 (.900)	26.4 (1.039)
34	TX4- 34S-D2ST-N1	TX5- 34P-D2ST-N1	20.32 (.800)	26.32 (1.036)	25.40 (1.000)	28.9 (1.138)
40	TX4- 40S-D2ST-N1	TX5- 40P-D2ST-N1	24.13 (.950)	30.13 (1.186)	29.21 (1.150)	32.7 (1.287)
50	TX4- 50S-D2ST-N1	TX5- 50P-D2ST-N1	30.48 (1.200)	36.48 (1.436)	35.56 (1.400)	39.1 (1.539)
60	TX4- 60S-D2ST-N1	TX5- 60P-D2ST-N1	36.83 (1.450)	42.83 (1.686)	41.91 (1.650)	45.4 (1.787)
68	TX4- 68S-D2ST-N1	TX5- 68P-D2ST-N1	41.91 (1.650)	47.91 (1.886)	46.99 (1.850)	50.5 (1.988)
80	TX4- 80S-D2ST-N1	TX5- 80P-D2ST-N1	49.53 (1.950)	55.53 (2.186)	54.61 (2.150)	58.1 (2.287)
100	TX4- 100S-D2ST-N1	TX5- 100P-D2ST-N1	62.23 (2.450)	68.23 (2.686)	67.31 (2.650)	70.8 (2.787)

D 05F ■ 4893465 0000690 14T ■

Dimensions in mm (inches).



Hong Kong
Tel: 852-2723-7782
Fax: 852-2723-9028

Japan
03-3780-2715
03-3780-2883

Singapore
65-748-1332
65-748-2920

Taiwan
02-555-9711
02-556-5424

United Kingdom
1276-21717
1276-66165

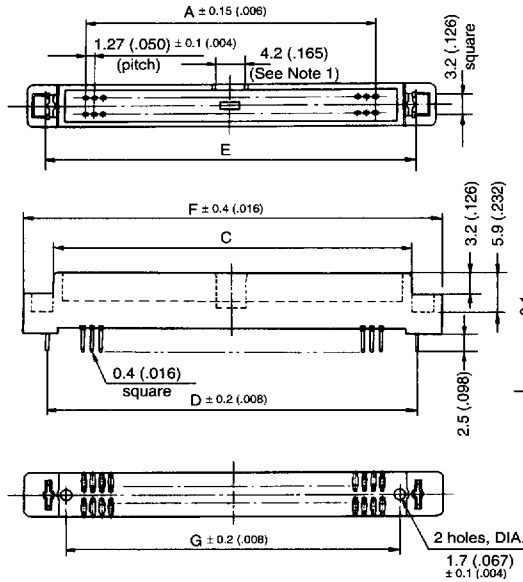
United States
714-753-2600
714-753-2699

TX 1 TO 5 SERIES CONNECTORS

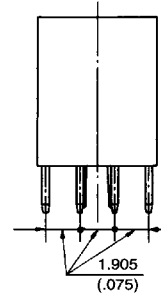
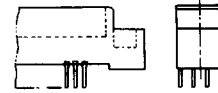
1.27mm (.050") Contact Spacing, PCB-to-PCB/PCB-to-Cable Connectors

PIN HEADER (With Mounting Ears)
TX5-ST-M—Straight Through Hole Type

With Expansion Posts (H)



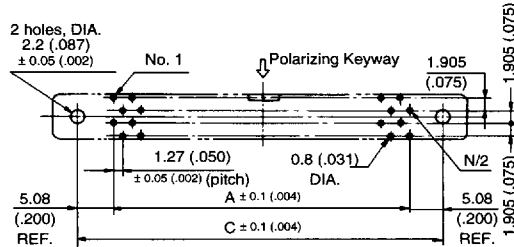
Without Expansion Posts (N)



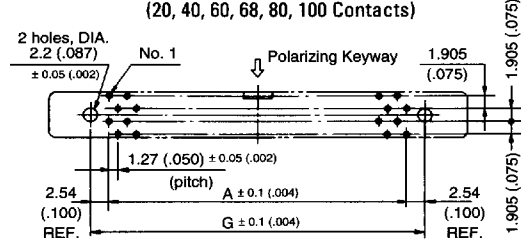
Note 1: For 80 and 100 position connectors, two polarizing keyways are provided. For other contact arrangements, one polarizing keyway is provided at the center.

PCB Hole Pattern

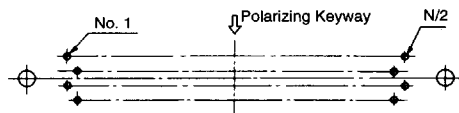
With Expansion Posts
 (20, 40, 60, 68, 80, 100 Contacts)



Without Expansion Posts (With mounting screw holes)
 Use #1-40 (M2) self tapping screw to fix PCB.
 (20, 40, 60, 68, 80, 100 Contacts)



(26, 30, 34, 50 Contacts)



No. of Contacts	Part Number		A	C ref.	D	E ± 0.2 (± .008)	F ± 0.4 (± .016)	G
	With Expansion Post	Without Expansion Post						
20	TX5- 20P-D2ST-MH1	TX5- 20P-D2ST-MN1	11.43 (.450)	20.03 (.789)	21.59 (.850)	23.23 (.915)	28.6 (1.126)	16.51 (.650)
26	TX5- 26P-D2ST-MH1	TX5- 26P-D2ST-MN1	15.24 (.600)	23.84 (.939)	25.40 (1.000)	27.04 (1.065)	32.4 (1.276)	20.32 (.800)
30	TX5- 30P-D2ST-MH1	TX5- 30P-D2ST-MN1	17.78 (.700)	26.38 (1.039)	27.94 (1.100)	29.58 (1.165)	35.0 (1.378)	22.86 (.900)
34	TX5- 34P-D2ST-MH1	TX5- 34P-D2ST-MN1	20.32 (.800)	28.92 (1.139)	30.48 (1.200)	32.12 (1.265)	37.5 (1.476)	25.40 (1.000)
40	TX5- 40P-D2ST-MH1	TX5- 40P-D2ST-MN1	24.13 (.950)	32.73 (1.289)	34.29 (1.350)	35.93 (1.415)	41.3 (1.626)	29.21 (1.150)
50	TX5- 50P-D2ST-MH1	TX5- 50P-D2ST-MN1	30.48 (1.200)	39.08 (1.539)	40.64 (1.600)	42.28 (1.665)	47.7 (1.878)	35.56 (1.400)
60	TX5- 60P-D2ST-MH1	TX5- 60P-D2ST-MN1	36.83 (1.450)	45.43 (1.789)	46.99 (1.850)	48.63 (1.915)	54.0 (2.126)	41.91 (1.650)
68	TX5- 68P-D2ST-MH1	TX5- 68P-D2ST-MN1	41.91 (1.650)	50.51 (1.989)	52.07 (2.050)	53.71 (2.115)	59.1 (2.327)	46.99 (1.850)
80	TX5- 80P-D2ST-MH1	TX5- 80P-D2ST-MN1	49.53 (1.950)	58.13 (2.289)	59.69 (2.350)	61.33 (2.415)	66.7 (2.626)	54.61 (2.150)
100	TX5-100P-D2ST-MH1	TX5-100P-D2ST-MN1	62.23 (2.450)	70.83 (2.789)	72.39 (2.850)	74.03 (2.915)	79.4 (3.126)	67.31 (2.650)

Dimensions in mm (inches).

D 05F ■ 4893465 0000691 086 ■

Hong Kong
 Tel: 852-2723-7782
 Fax: 852-2723-9028

Japan
 03-3780-2715
 03-3780-2883

Singapore
 65-748-1332
 65-748-2920

Taiwan
 02-555-9711
 02-556-5424

United Kingdom
 1276-21717
 1276-66165

United States
 714-753-2600
 714-753-2699

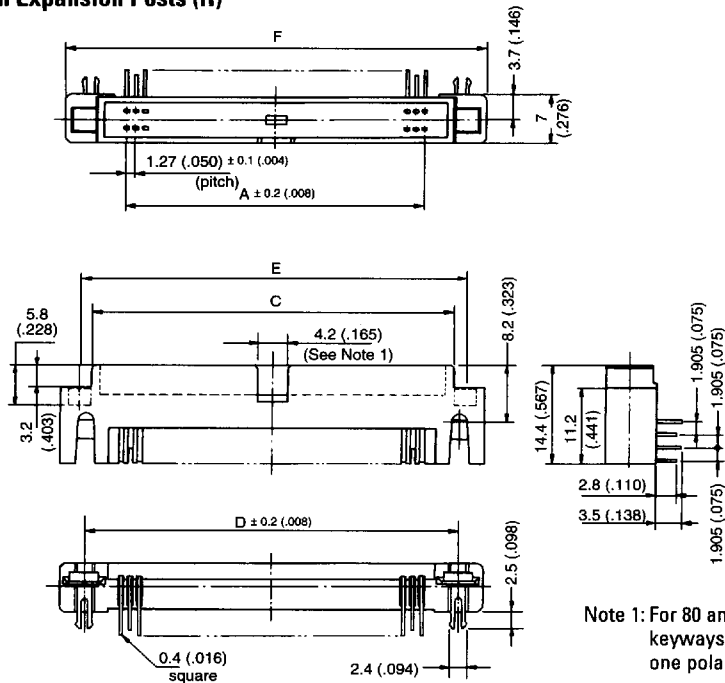


TX 1 TO 5 SERIES CONNECTORS

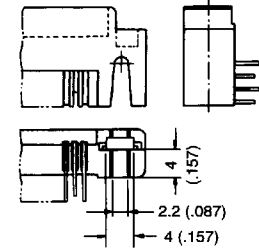
1.27mm (.050") Contact Spacing, PCB-to-PCB/PCB-to-Cable Connectors

PIN HEADER (With Mounting Ears) TX5-LT-M—Angle Through Hole Type

With Expansion Posts (H)

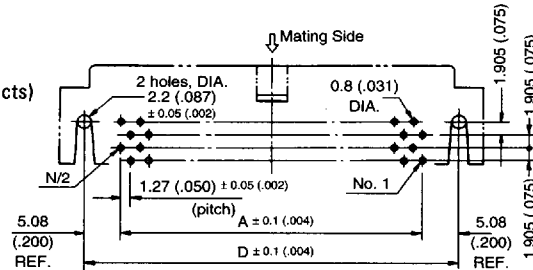


Without Expansion Posts (N)

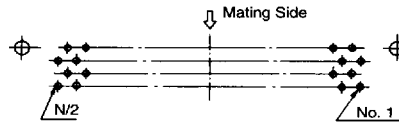


Note 1: For 80 and 100 position connectors, two polarizing keyways are provided. For other contact arrangements, one polarizing keyway is provided at the center.

PCB Hole Pattern (20, 40, 60, 68, 80, 100 Contacts)



(26, 30, 34, 50 Contacts)



No. of Contacts	Part Number		A	C ref.	D	E ± 0.2 (± .008)	F ± 0.4 (± .016)
	With Expansion Post	Without Expansion Post					
20	TX5- 20P-D2LT-MH1	TX5- 20P-D2LT-MN1	11.43 (.450)	20.03 (.789)	21.59 (.850)	23.23 (.915)	28.6 (1.126)
26	TX5- 26P-D2LT-MH1	TX5- 26P-D2LT-MN1	15.24 (.600)	23.84 (.939)	25.40 (1.000)	27.04 (1.065)	32.4 (1.276)
30	TX5- 30P-D2LT-MH1	TX5- 30P-D2LT-MN1	17.78 (.700)	26.38 (1.039)	27.94 (1.100)	29.58 (1.165)	35.0 (1.378)
34	TX5- 34P-D2LT-MH1	TX5- 34P-D2LT-MN1	20.32 (.800)	28.92 (1.139)	30.48 (1.200)	32.12 (1.265)	37.5 (1.476)
40	TX5- 40P-D2LT-MH1	TX5- 40P-D2LT-MN1	24.13 (.950)	32.73 (1.289)	34.29 (1.350)	35.93 (1.415)	41.3 (1.626)
50	TX5- 50P-D2LT-MH1	TX5- 50P-D2LT-MN1	30.48 (1.200)	39.08 (1.539)	40.64 (1.600)	42.28 (1.665)	47.7 (1.878)
60	TX5- 60P-D2LT-MH1	TX5- 60P-D2LT-MN1	36.83 (1.450)	45.43 (1.789)	46.99 (1.850)	48.63 (1.915)	54.0 (2.126)
68	TX5- 68P-D2LT-MH1	TX5- 68P-D2LT-MN1	41.91 (1.650)	50.51 (1.989)	52.07 (2.050)	53.71 (2.115)	59.1 (2.327)
80	TX5- 80P-D2LT-MH1	TX5- 80P-D2LT-MN1	49.53 (1.950)	58.13 (2.289)	59.69 (2.350)	61.33 (2.415)	66.7 (2.626)
100	TX5- 100P-D2LT-MH1	TX5- 100P-D2LT-MN1	62.23 (2.450)	70.83 (2.789)	72.39 (2.850)	74.03 (2.915)	79.4 (3.126)

D 05F 4893465 0000692 T12

Dimensions in mm (inches).



Hong Kong
Tel: 852-2723-7782
Fax: 852-2723-9028

Japan
03-3780-2715
03-3780-2883

Singapore
65-748-1332
65-748-2920

Taiwan
02-555-9711
02-556-5424

United Kingdom
1276-21717
1276-66165

United States
714-753-2600
714-753-2699